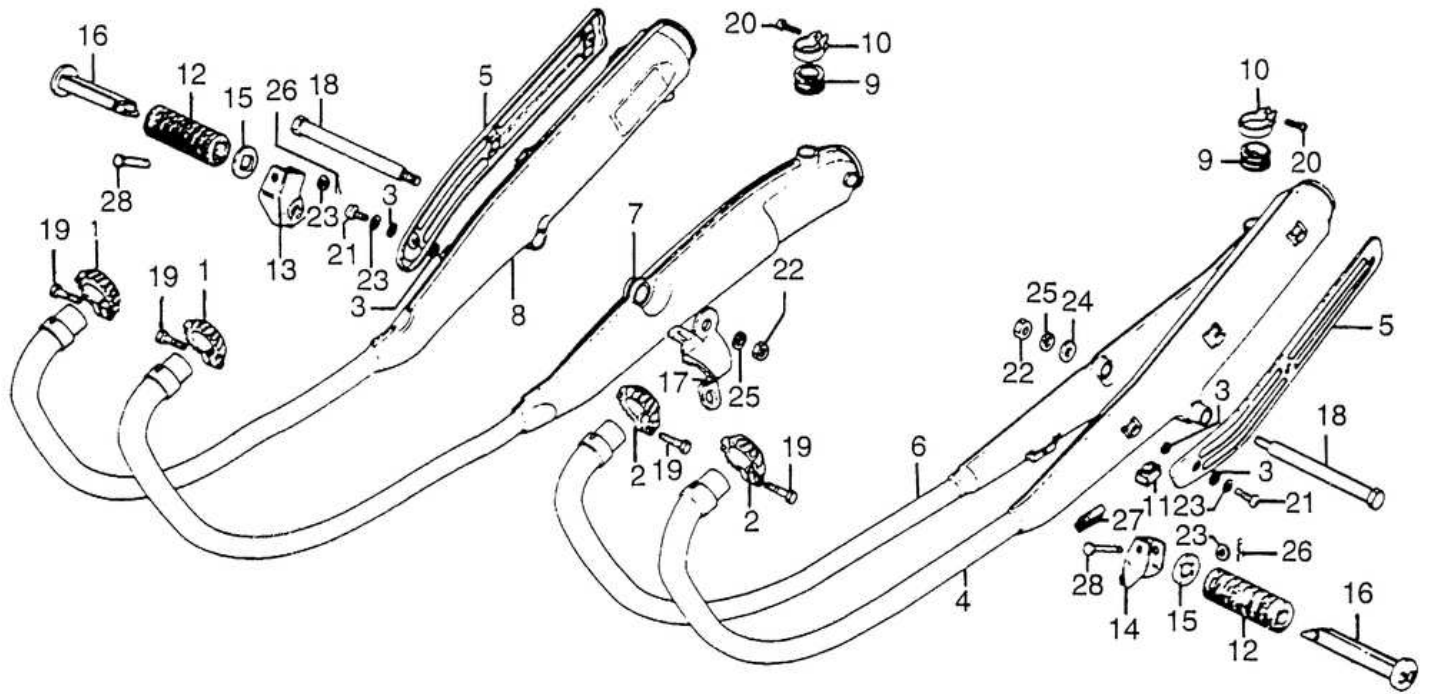


Early (pre-77 spigot) Exhaust



Late (77/78 shim and collar) Exhaust

